



Denver LED Lights

September 30, 2016

Denver LED Lights Newsletter

Fall Edition 2016

Greetings! 2016 is coming to end with many residential and commercial properties not taking advantage of the energy savings. Residential customers can dramatically reduce the cost of electricity in their home by combining solar and LED technology. The reduction is averaging out to be 60-80% depending on the type of electricity usage with greater reduction in properties where high lighting usage is common.

Denver LED Lights provides benefits for customers who would like to retrofit properties using high output LED light bulbs:

- Tiered pricing / Volume discounts
- Energy audits performed by Xcel Energy on commercial properties.
- Installation services provided by the IBEW (International Brotherhood of Electrical Workers).
- Made-to-order business model means light bulbs are produced at the time of ordering.
- Rebates for customers who qualify for government or energy reduction.
- **0% down solar energy evaluation, implementation and rebates.**
- Local installation services in the Denver metro area and surrounding communities.

As the year comes to a close and 2017 begins, there are changes happening at Denver LED Lights that will move the company forward. New employees are coming aboard and partnerships including the 0% down solar initiative will allow us to keep our customers on the savings end. I encourage all of our customers to look into solar / LED implementations considering the proposed 2017 energy hikes. Average rates could approach \$0.22 - 0.30 per Kwh for residential and commercial customers. Give a call to get an solar / LED evaluation started today or click on the POWUR banner below!

Have a Blessed Day!

Rodell Reddix

Denver LED Lights

CEO / Managing Business Partner

(720) 544-7533

(720) 588-8533



Denver LED Lights

"North America's premier exclusive high output LED distributor"

COMPANY OVERVIEW

Denver LED Lights became the **first high output exclusive LED distributor** in North America in February, 2013. Our business encompasses the distribution of high output LED lighting, fixtures and accessories for every industry. While this may seem like a broad spectrum, the focus is specifically on providing exceptional high output lighting products and accessories to our customers.

SCOPE OF SERVICES

High Output LED Lighting

“A new standard in green energy lighting that increases lifetime and output based on a modern energy usage standard. Lumen output for high output LED ranges 100 – 160 lumens/watt and lowers energy consumption over regular fluorescent tubes, CFL (compact fluorescent lamps) or standard output LED lighting.”

NOTE: Denver LED Lights emphasizes a second generation standard in LED lighting that is not widely used in the United States. The most commonly used standard is standard-output LED but many consumers are starting to understand how **high-output** LED saves 30-50% more energy while producing better lumen output.

Optional Services

Xcel Energy audit provides a dedicated Denver LED Lights representative knowledgeable in our products that will consult consumers on applicable energy rebates.

IBEW (International Brotherhood of Electrical Workers) performs ballast removal and installation of lighting fixtures and bulbs.

BENEFITS

Volume Discounts

Reduction in pricing primarily used for large commercial orders. Discounts are offered on residential orders as well to incentivize energy saving purchases.

Tiered Pricing

Specific dollar amount assigned to a product purchase that gives the consumer an additional discount based on the original manufacturers price.

Combined Billing

Receive one bill for Denver LED Lights and IBEW installation charges. We are working on future billing and financing options for both residential and commercial customers.

Savings, savings and more savings

Direct reference to lower energy bills witnessed by consumers who switch to high output LED bulbs. The efficiency standard is unprecedented by any other LED technology on the market today.

Discounts for Community/Non-Profit Organizations

Denver LED Lights will donate up to a 20% discount to any community / non-profit organizations depending on order size. By doing so, we hope to encourage these organizations to upgrade their aging light bulbs and fixtures to a modern electricity usage standard.

High output LED Lighting – a new standard in green energy lighting that increases lifetime and output based on a modern energy usage standard. Lumen output for high output LED ranges 100 – 160 lumens/watt and lowers energy consumption over regular fluorescent tubes, CFL (compact fluorescent lamps) or standard output LED lighting. High output LED lighting also encourages “delamping” or bulb reduction which saves additional energy year over year.

PRODUCTS



New products and product upgrades have dominated our manufacturer network in 2016 so far. LED lighting is expanding and offering new options to customers who wish to implement upgraded renewable energy lighting options. Review each product listed below and click on the link to review details:

Street Lights

City and State municipalities are starting to require renewable energy lighting with features like: luminous efficiency greater than 100 lm /watt and beam angle of 120 - 180°. The design of our new Cobrahead streetlights supplied with Cree chips spreads the lighting area enough to eliminate dark spots on the road.

100W Cree Panel Cobrahead Streetlight

Link: <http://www.denverledlights.com/www/products/commercial/26000002/26000002.pdf>

Shoobox (Pole) Lights

Large commercial building parking lots can benefit from Shoobox (Pole) Lights with the Philips LumiLEDS and MeanWell drivers. This latest LED technology is 130+ lm/watt and has a wide range of power options from 60 – 480W and various hues.

Link: 60 Watt Shoobox with 60mm mount – Pure White (5000-5500K)

<http://www.denverledlights.com/www/products/commercial/25000002/25000002.pdf>

T8 LED tubes

T8 Tubes are the most common bulb replacement option that span from residential to commercial properties. Updating from 32-40W 4-foot florescent tubes to 18W 4-foot T8 LED tubes is a great way to lower energy consumption. Denver LED Lights has added a lower wattage 15W 4-foot T8 LED tube and a higher wattage 20W 4-foot T8 LED tube in various lengths: 2ft, 3ft, 4ft, 6ft and 8ft. Length and hue options vary depending on the product.

Links:

15 Watt T8 4-foot Tube Style LED w/ Samsung SMD2835 5000-5500K frosted

<http://www.denverledlights.com/www/products/commercial/20009416/20009416.pdf>

18 Watt T8 4-foot Tube Style LED 160 lm/watt 5000K frosted

<http://www.denverledlights.com/www/products/commercial/20007005/20007005.pdf>

20 Watt T8 4-foot Tube Style LED 160 lm/watt 5000-5500K frosted

<http://www.denverledlights.com/www/products/commercial/20007413/20007413.pdf>

PRODUCTS (Continued)

Flood LED Lighting Type 2

A variety of residential and commercial buildings use flood lights on the outside as a security measure. Video surveillance requires the use of crisp and clear lighting to visually capture specific details. There are also variety of different sizes for every situation: 10W, 20W, 30W, 50W, 80W, 100W, 150W, 200W and with 4 hues – warm (3000-3500K), standard (4000-4500K), pure (5000-5500K) and cool (6000-6500K). The new “Type 2” design features a Philips 3030 chip, slimmer depth and black outer casing.

Links:

10 Watt Flood LED (Type 2 Warm) for smaller coverage areas – 1,000 lumens

<http://www.denverledlights.com/www/products/commercial/23102000/23102000.pdf>

100 Watt Medium Flood LED (Type 2 Warm) – 10,000 lumens

<http://www.denverledlights.com/www/products/commercial/23102005/23102005.pdf>

150 Watt High Output Flood LED (Type 2 Warm)– 15,000 lumens

<http://www.denverledlights.com/www/products/commercial/23102007/23102007.pdf>

Strip Lighting

Gaining fast in popularity and practical application is strip lighting. Residential customers will find the use of strip lighting one of the best cost saving measures in terms of price of the product combined with overall energy usage. In fact, strip lighting is cheaper than the other conventional lighting methods. Large commercial customers may also realize the cost saving method as well especially when considering the luminous efficiency at 160 lm/watt! **S-bendable is the new flexible strip lighting that can bend up to 360° without breaking.**

Links:

2835 8mm width 160 lm/w IP68 White PCB 12 watts/meter S-bendable – Warm white

<http://www.denverledlights.com/www/products/specialty/30000216/30000216.pdf>

Product Certifications and Manufacturers



WARRANTIES

Residential and Commercial product warranties are offered through our manufacturers and all fully guarantee product replacement. Denver LED Lights stands behind any manufacturer defective products by offering our customers the same warranties:

Residential Products (i.e. Edison-filament, bubble, corn-style)

2-year manufacturer warranty

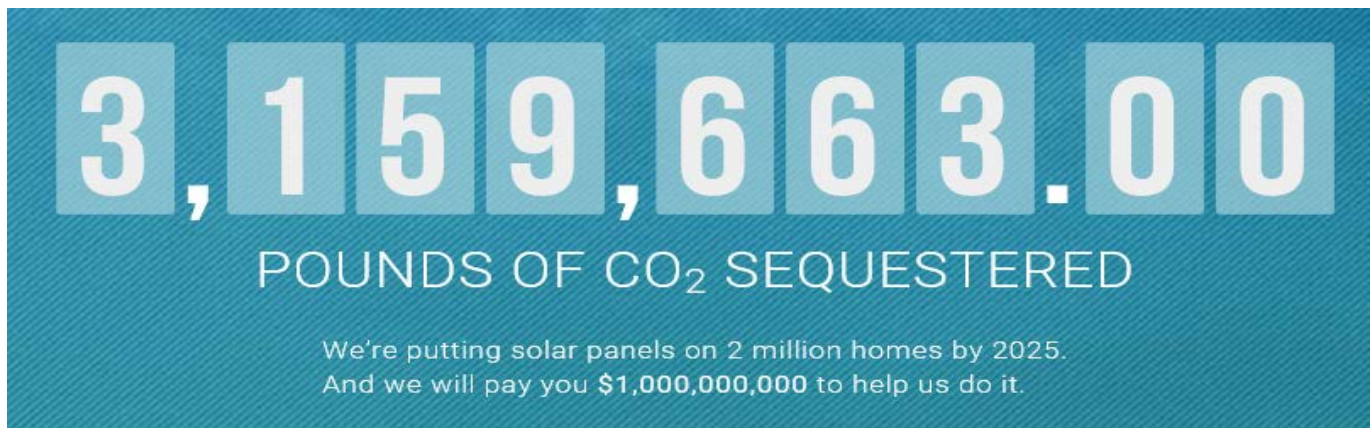
Commercial Products (i.e. T8 tubes, Floods, Street and shoebox)

3-7 year manufacturer warranty

Limited warranty: <http://www.denverledlights.com/www/warranty/LimitedWarranty.pdf>

Extended warranty: A new extended warranty plan will be released soon allowing customers to purchase replacement products after 5 years of usage. The upcoming plan will have a web link with details as soon as it is available.

PARTNERSHIPS



3,159,663.00
POUNDS OF CO₂ SEQUESTERED

We're putting solar panels on 2 million homes by 2025.
And we will pay you \$1,000,000,000 to help us do it.

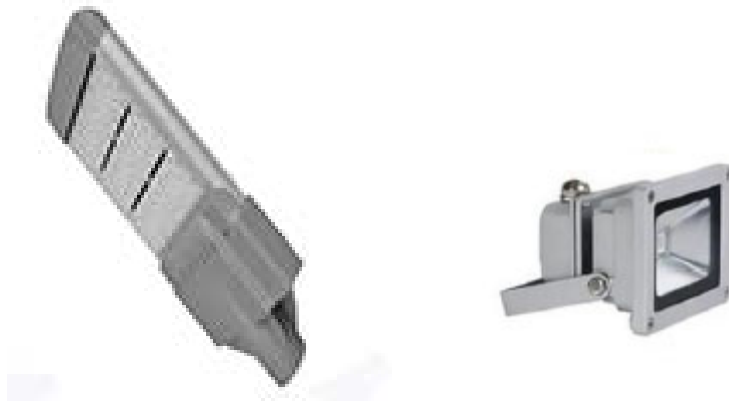
[\(Click in the banner above to learn more about tis opportunity.\)](#)

Denver LED Lights is proud to be a part of the solar energy movement by becoming a supporting partner with POWUR! Residential homeowners can request a solar evaluation and purchase solar panels from SolarCity using the link above. We are also considering new prospects to join Denver LED Lights in our upcoming complementary LED projects that will combine the solar initiative with an LED initiative. By combining solar with LED, energy savings will range from 60-80% off and nearly create energy independent homes.

If you are interested in working as an independent POWUR advocate or partner, click on the link below and submit your information:



Cost is \$499 to become a partner. Free to become advocate - look for "Register as advocate" in the footer on the right side.



Save Money Both Now and Later!



(Under construction)

